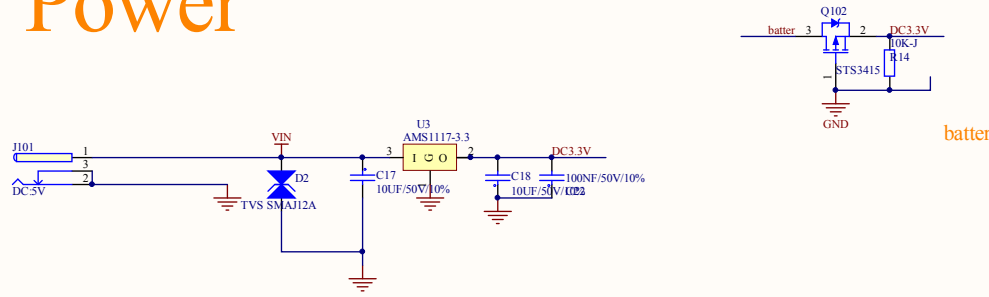
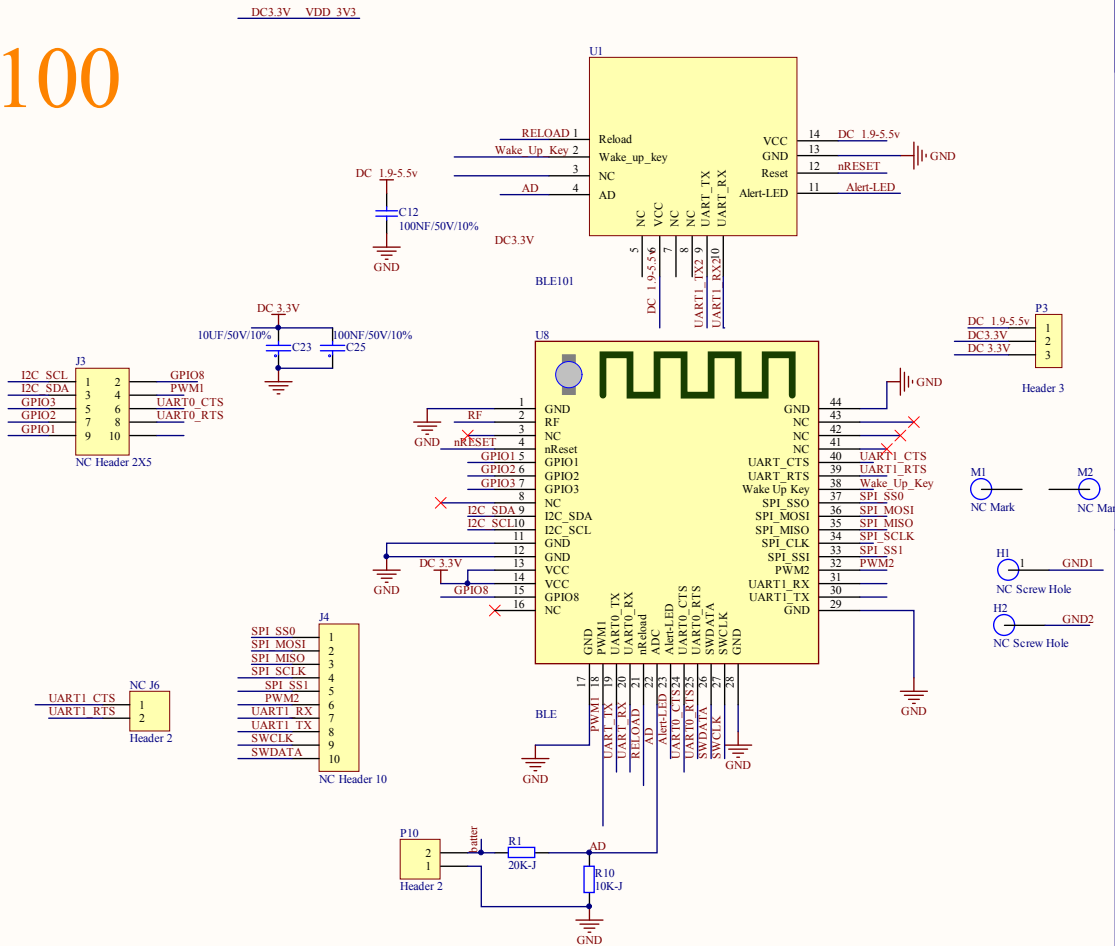


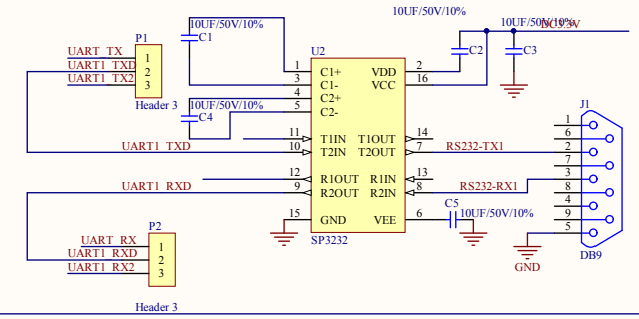
Power



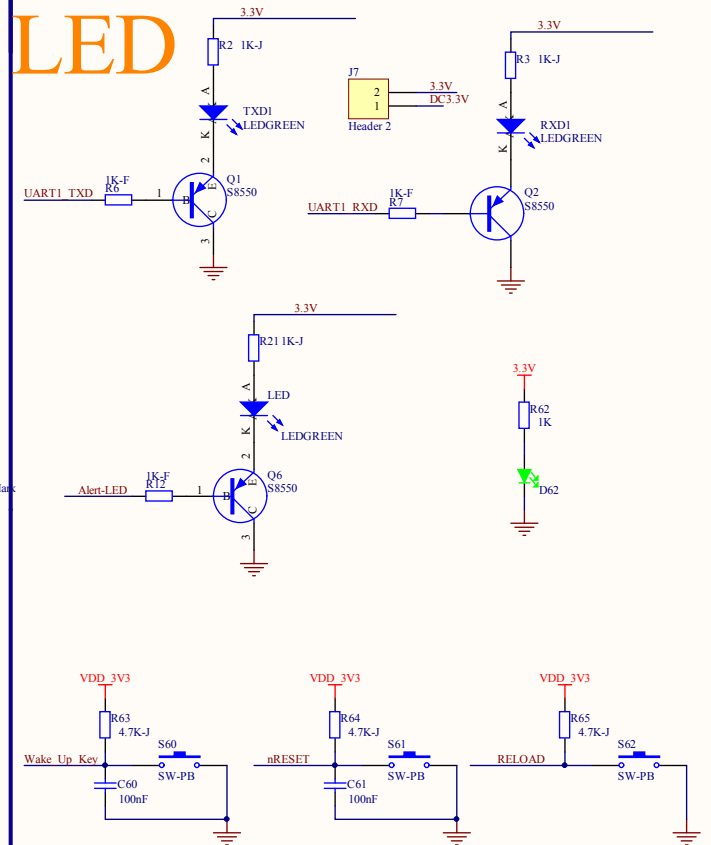
BLE100



RS232



LED



Title		
USR_BLE_EVK		
Size	Number	Revision
A3		
Date:	2016-11-17	Sheet of
File:	F:\USR-BLE-EVK V1.2 SchDoc	Drawn By: