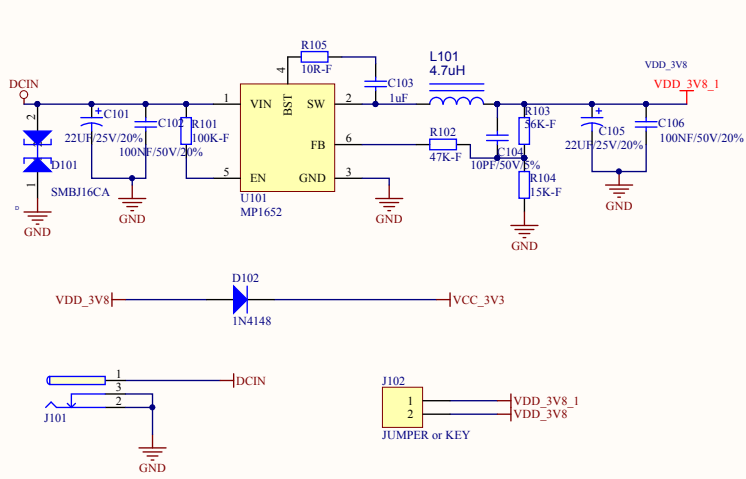
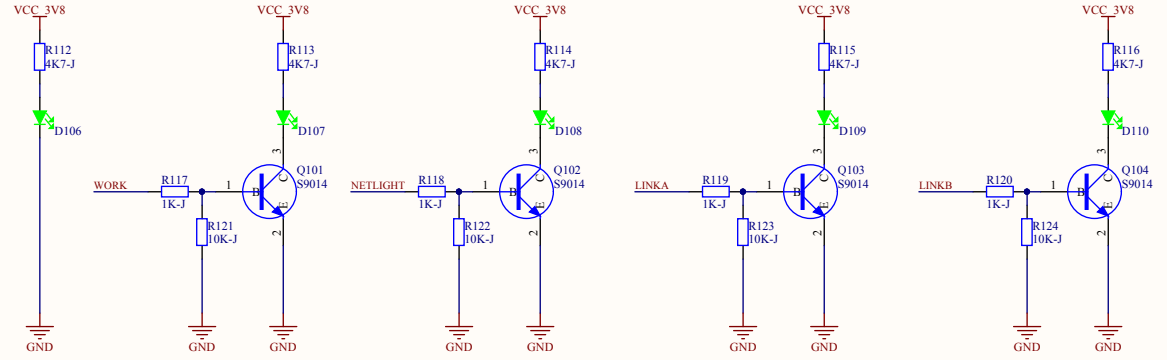


POWER



POWER

LED



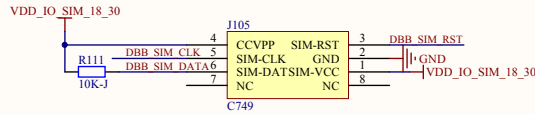
WORK

NETLIGHT

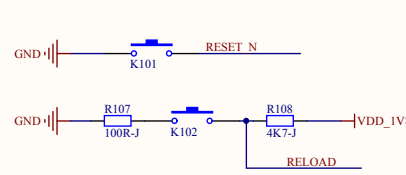
LINKA

LINKB

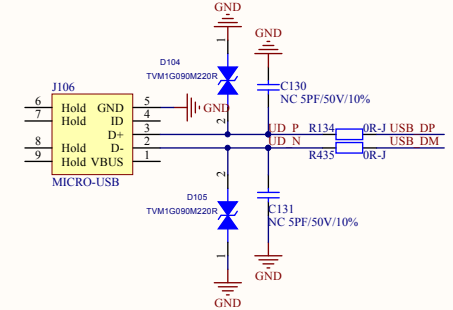
SIM



KEY



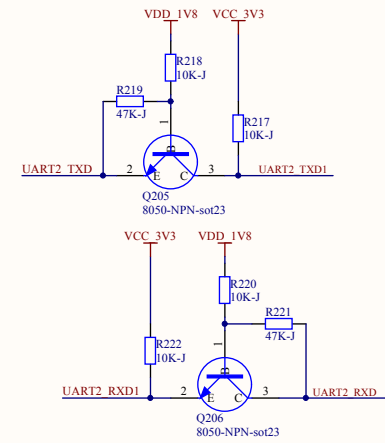
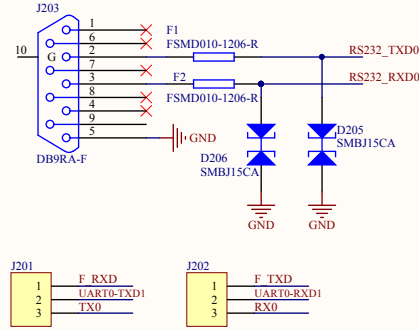
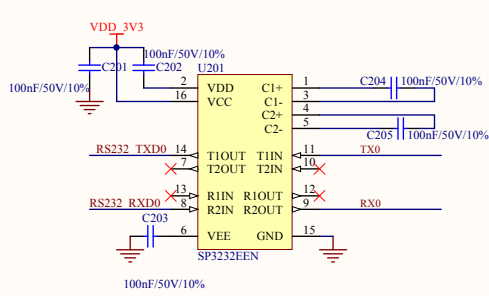
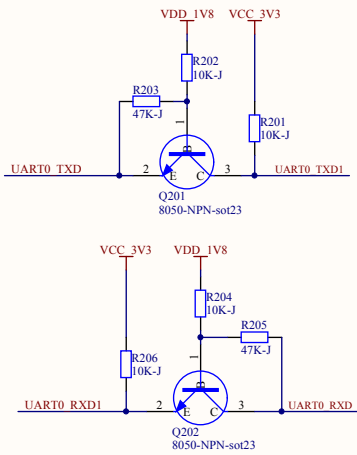
USB



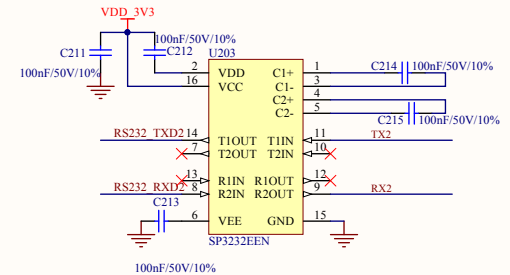
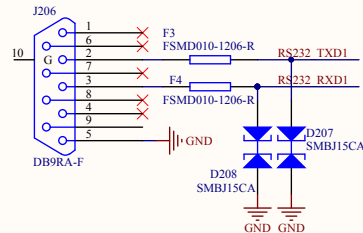
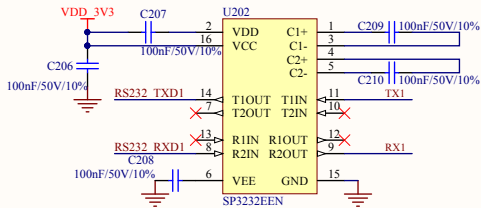
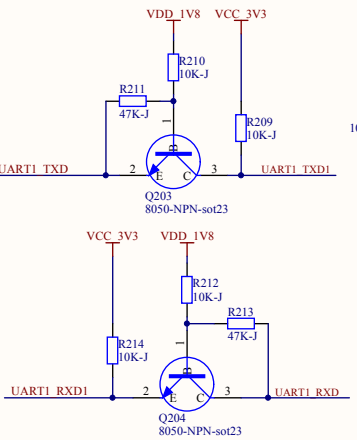
ANT



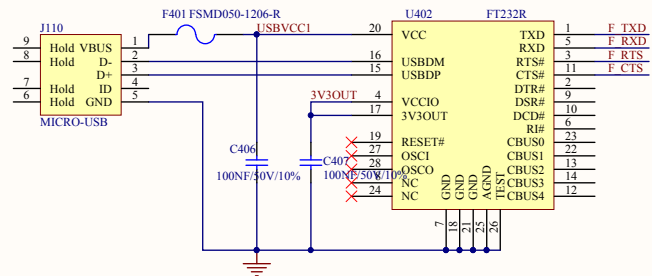
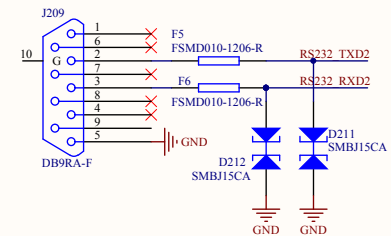
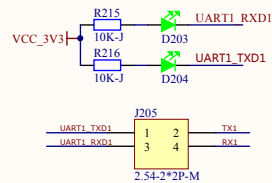
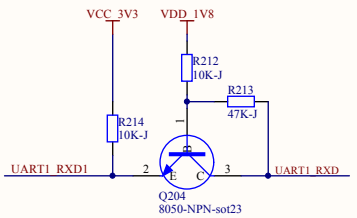
Title		
Size	Number	Revision
A3		
Date:	2018-11-16	Sheet of
File:	F:\08-4G\01 POWER SIM LED KEY	Sheet No. By:



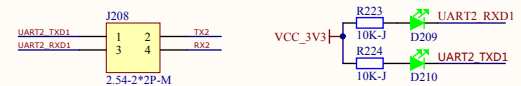
UART0: TTL to 232



DBG UART1: TTL to 232

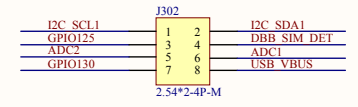
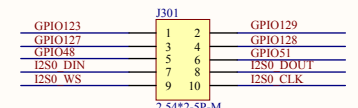
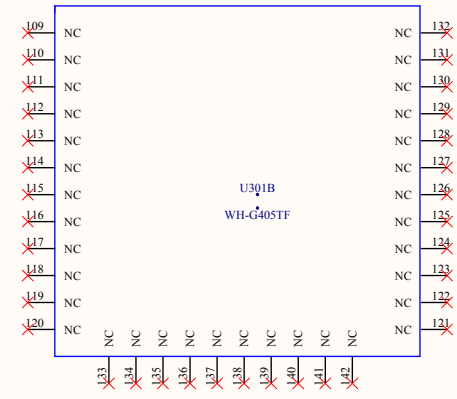
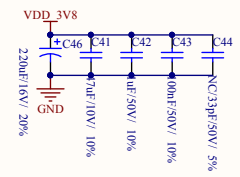
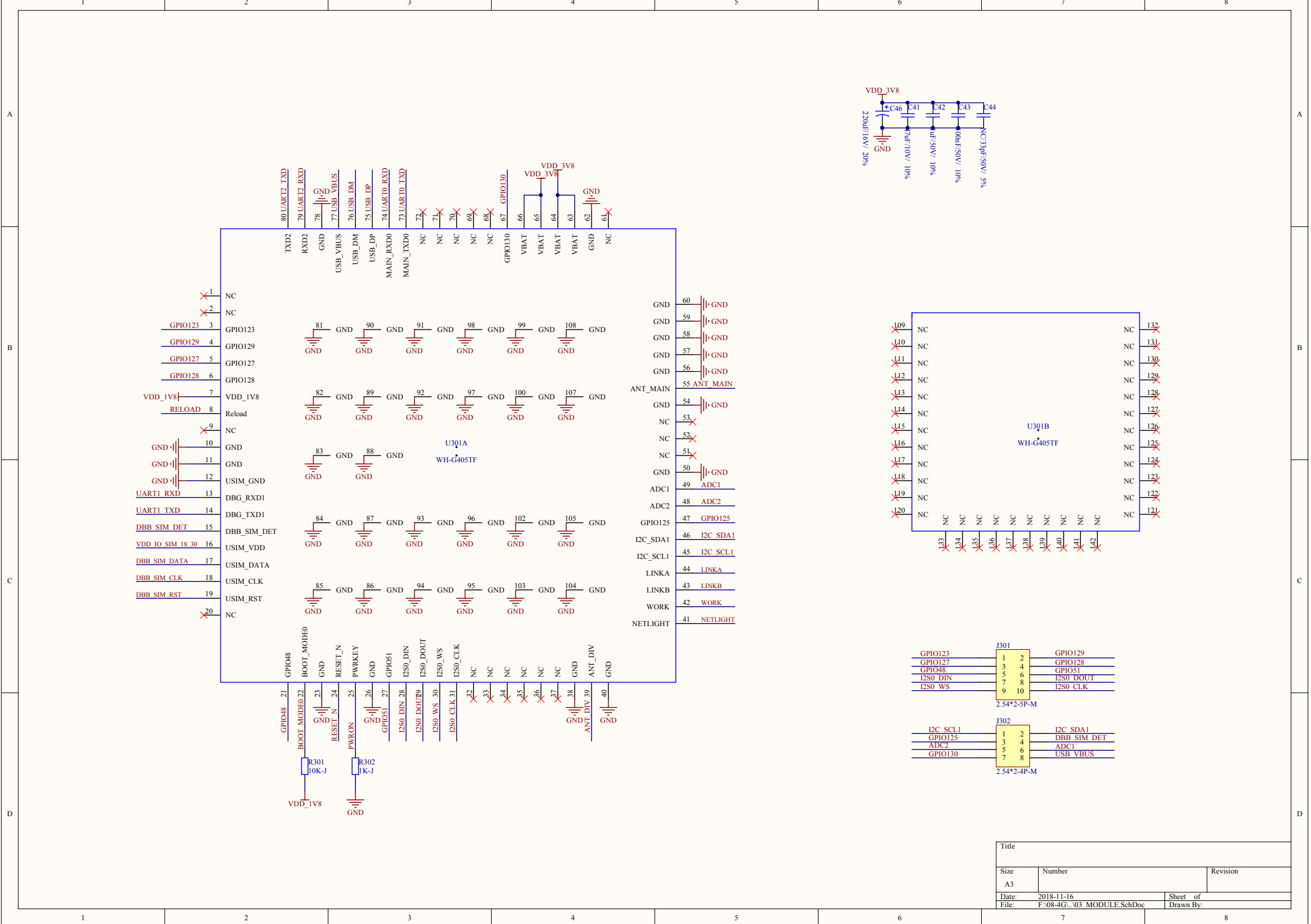


USB to UART



UART2: TTL to 232

Title		
Size	Number	Revision
A3		
Date:	2018-11-16	Sheet of
File:	F:\08-4GU_02 UART.SchDoc	Drawn By:



Title		
Size	Number	Revision
A3		
Date:	2018-11-16	Sheet of
File:	F:\08-4G\...03_MODULE.SchDoc	Drawn By: