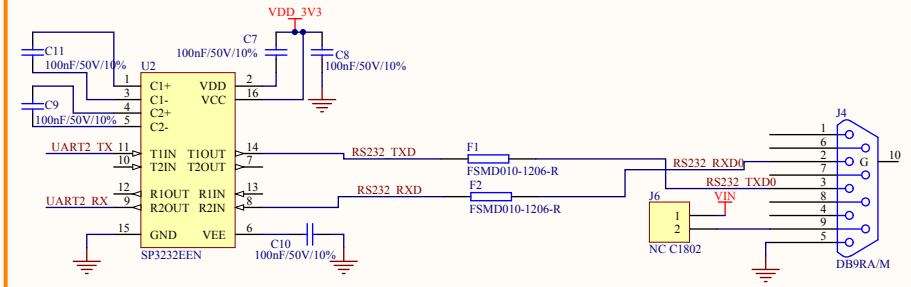
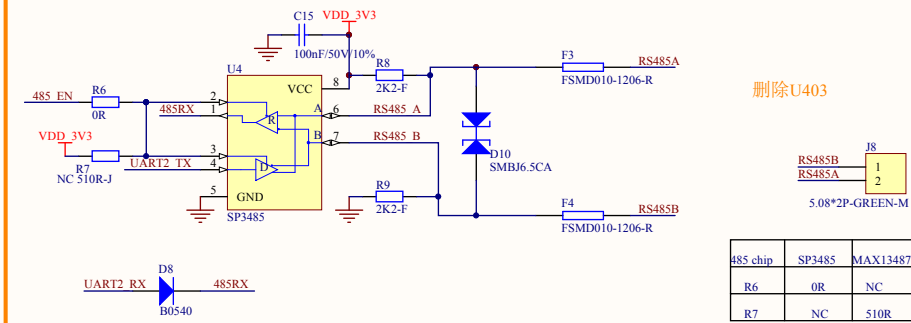


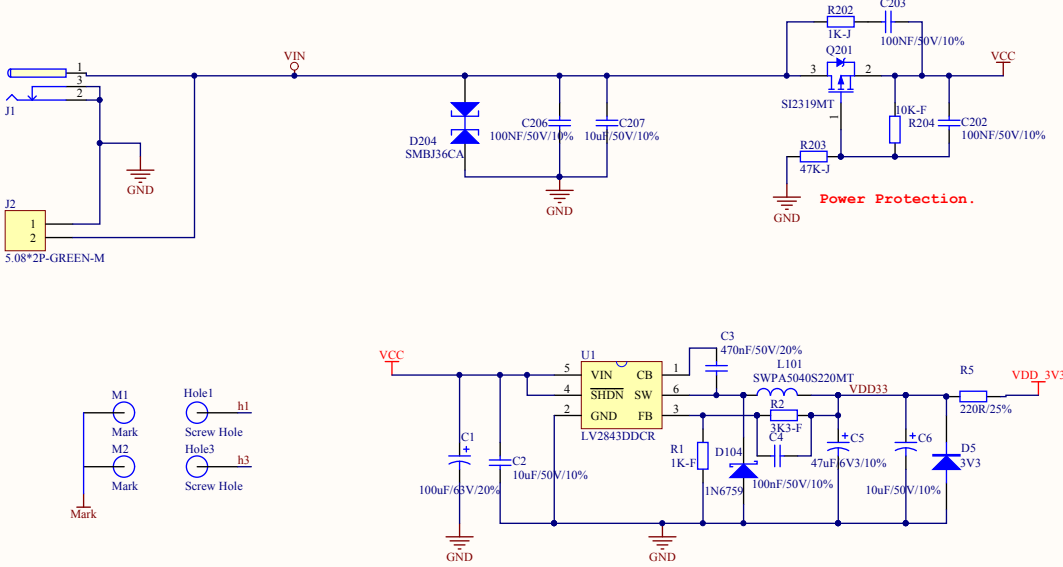
2 RS232



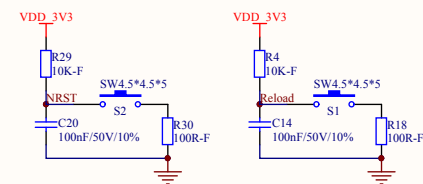
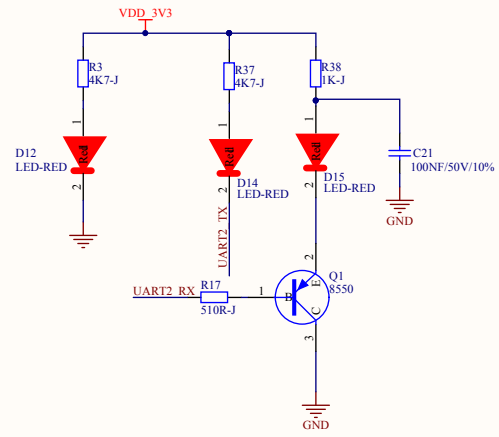
3 485



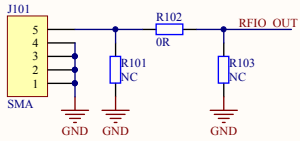
1 Power



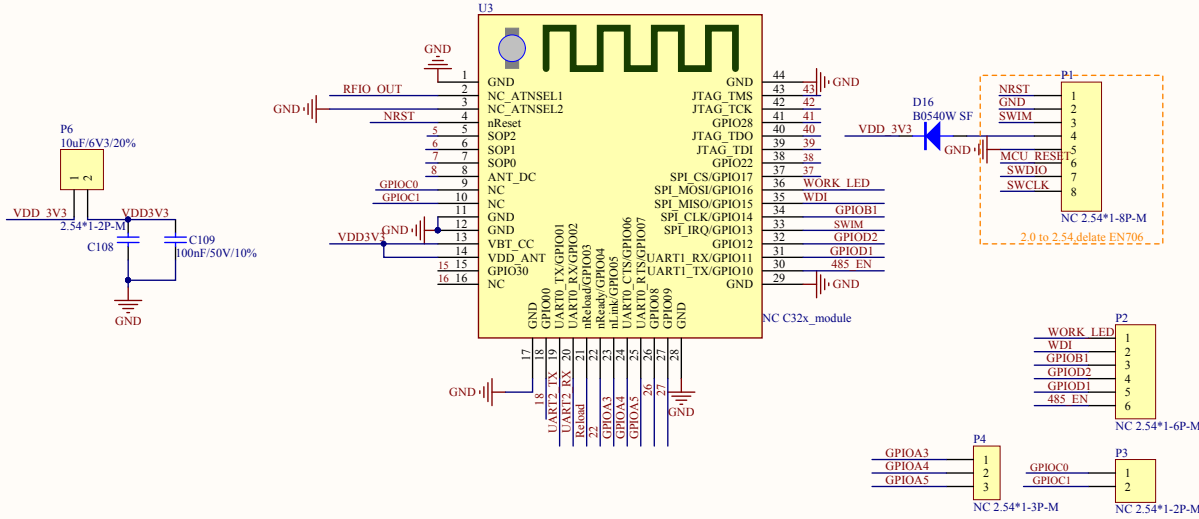
4 LED KEY



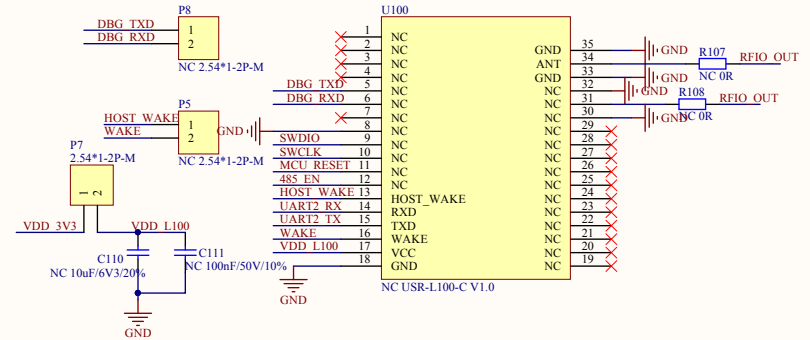
Title		
Size	Number	Revision
A3		
Date:	2018-07-05	Sheet of
File:	F:\03-lora\WH-L10x-EVK-01-Power	URV.BDoc



L101



L100



Title		
Size	Number	Revision
A3		
Date:	2018-07-05	Sheet of
File:	F:\03-lora\...WH-L10x-EVK-02-Module	DWY